

Dual Cavity Sensor (dual output)

Non-Contact Position Sensor



Key Features

- Non-contact
- Dual channel output allows monitoring of two moving parts with one sensor
- No moving sensor parts
- Up to 90° rotary measurement
- Linear measurement
- Analogue output
- Unlimited mechanical life
- Submersible



The Dual Output Dual Cavity Sensor is able to sense the position of two independent activators, providing a separate analogue output for each.

The sensing system consists of the sensor and two metallic activators. Uniquely, these activators can be formed as part of your application for minimum installation overhead. Significant production savings can be achieved as no mechanism is required to couple the sensor to the moving parts.

The Dual Output Dual Cavity Sensors are highly versatile and flexible, suitable for use in harsh environments - grime, moisture heat and vibration.



Electrical

Supply Voltage	+6 VDC to +30 VDC
Over Voltage Protection	>31 VDC
Supply Current	<10mA
Reverse Polarity Protection	to -30 VDC
Resolution	10 bit
Sample Rate	1KHz

Analogue Output

Measuring Range	Linear: Range governed by activator shape Rotary: ±45°
Output Range (channel 1)	0-4.2V
Output Range (channel 2)	0-4.2V
Range Accuracy	±3% over full temperature range

Mechanical

Size	19 x 25.5 x 64mm (DxWxL)
Mounting	2 x Ø4mm holes on a 30mm pitch
Weight	34g
Activator Materials	See notes overleaf
Materials Compatibility	Water, engine oil, engine coolant, diesel fuel, gasoline, salt spray, degreaser, degreaser tsp, ammonia and dust. All common automotive liquids and materials

Environmental

Protection Class	IP67
Operational Temperature	-40°C to +85°C (standard)
Storage Temperature	-40°C to +125°C
Dither Life	Non-Contact: No deterioration through use

Dual Cavity Sensor (dual output)

Non-Contact Position Sensor

Activator Materials

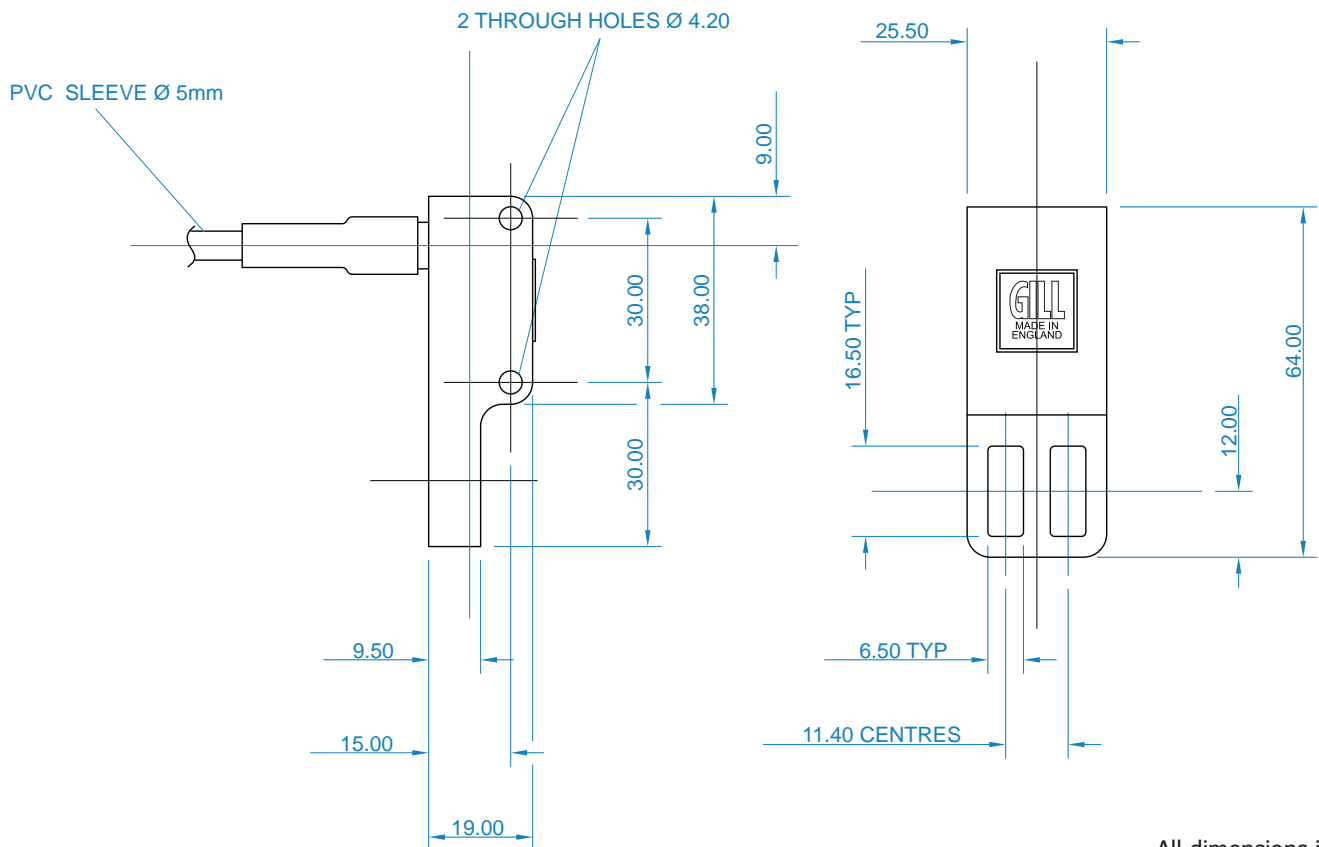
- Tinned steel
- EN3B painted mild steel or similar
- Plastic/Copper Foil
- Others compatible, contact Gill with your requirement.

Dual Cavity (dual output) Sensor Options

- 0.2m Flying lead (top exit) with Connector Part No:1356-10-062

Wiring

	Red	+6VDC to +30VDC Supply
	Black	System & Power Ground (GND)
	Yellow	Analogue Output (Channel 1)
	Blue	Analogue Output (Channel 2)



All dimensions in mm



Gill Sensors
 Solent House
 Cannon Street
 Lymington
 Hampshire
 SO41 9BR, UK

T: +44 (0) 1590 613 400
 F: +44 (0) 1590 613 401
 E: info@gillsensors.co.uk

www.gillsensors.co.uk

