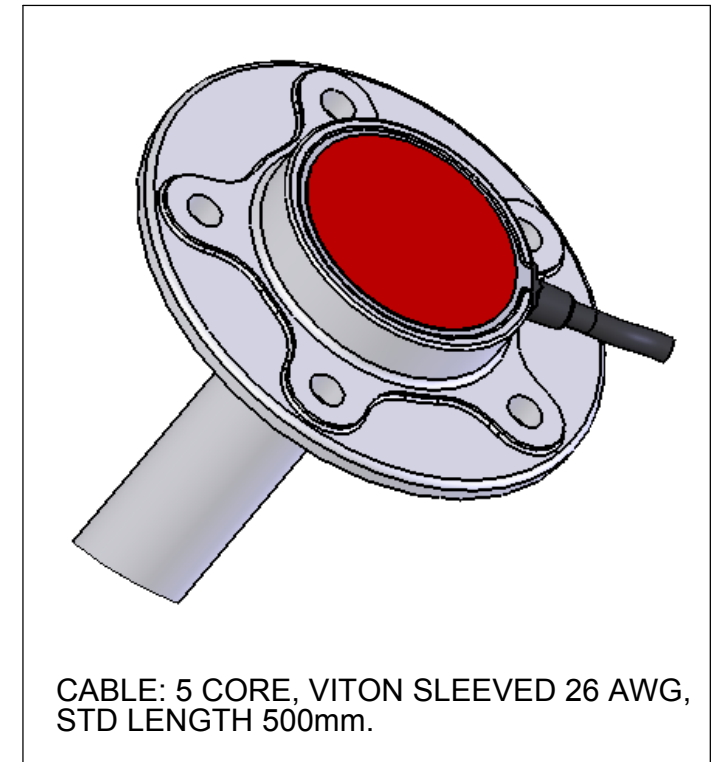
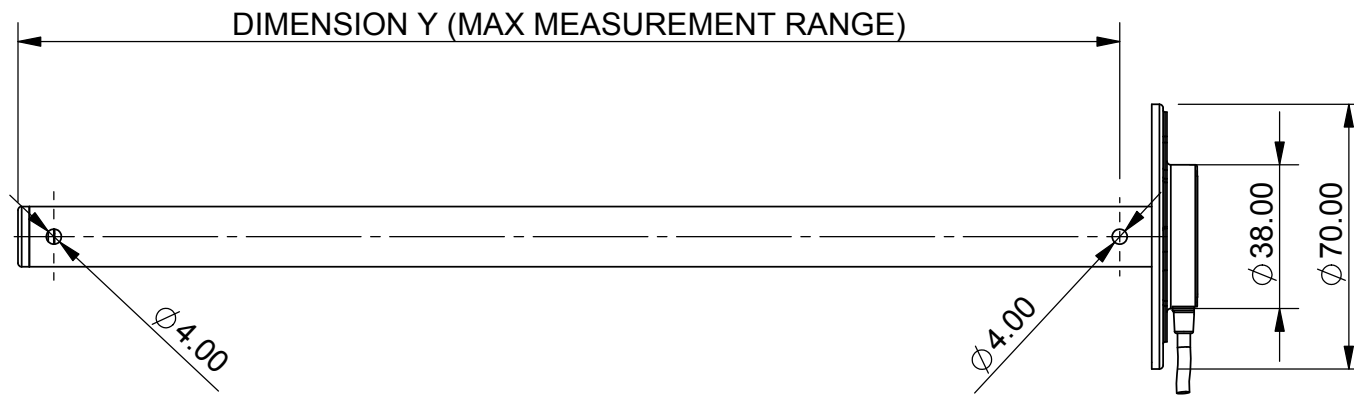


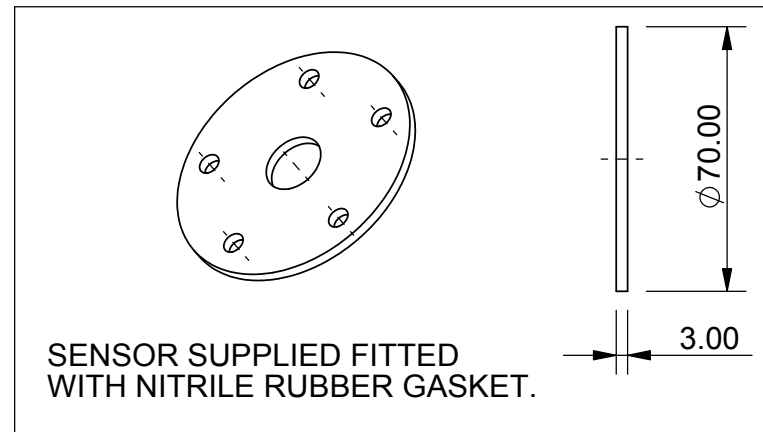
DETAIL B
SCALE 1 : 1



CABLE: 5 CORE, VITON SLEEVED 26 AWG,
STD LENGTH 500mm.

DIMENSION	VALUE
X	SPECIFIED PROBE LENGTH
Y	SPECIFIED PROBE LENGTH - 7.5mm

CABLE COLOUR	DESIGNATION
RED	V+ (POWER)
BLACK	V- GND
ORANGE	SIGNAL
GREEN	Rx
WHITE	Tx



ALL DIMENSIONS IN MILLIMETRES

ISSUE	DESCRIPTION	CHANGE NOTE No	APPR'D	DATE	SCALE	MATERIAL	USED ON		
A	FIRST ISSUE			29/11/06	1:2	6082 T6	1612-00-016		
					GENERAL TOLERANCE	FINISH	DRAWN	CHECKED	DATE
					±0.2	POLISHED OR ANODISED	NJM	RJP	29.9.06
					TITLE	THIRD ANGLE	DRG No		
					RACING SERIES OIL LEVEL SENSOR		A3	1612-G-016	



SOLENT HOUSE,
CANNON STREET,
LYMINGTON,
HAMPSHIRE, SO41 9BR
TEL: +44(0)1590 613400
FAX: +44(0)1590 613401
Email: gill@gilltechnology.com
Website: www.gilltechnology.com

DESIGN COPYRIGHT RESERVED

SCALE

1:2

MATERIAL

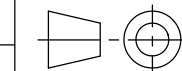
6082 T6

GENERAL TOLERANCE

±0.2

FINISH

POLISHED OR ANODISED



THIRD ANGLE

USED ON

1612-00-016

DRAWN

NJM

CHECKED

RJP

DATE

29.9.06

TITLE

RACING SERIES OIL LEVEL SENSOR

A3

DRG No

1612-G-016