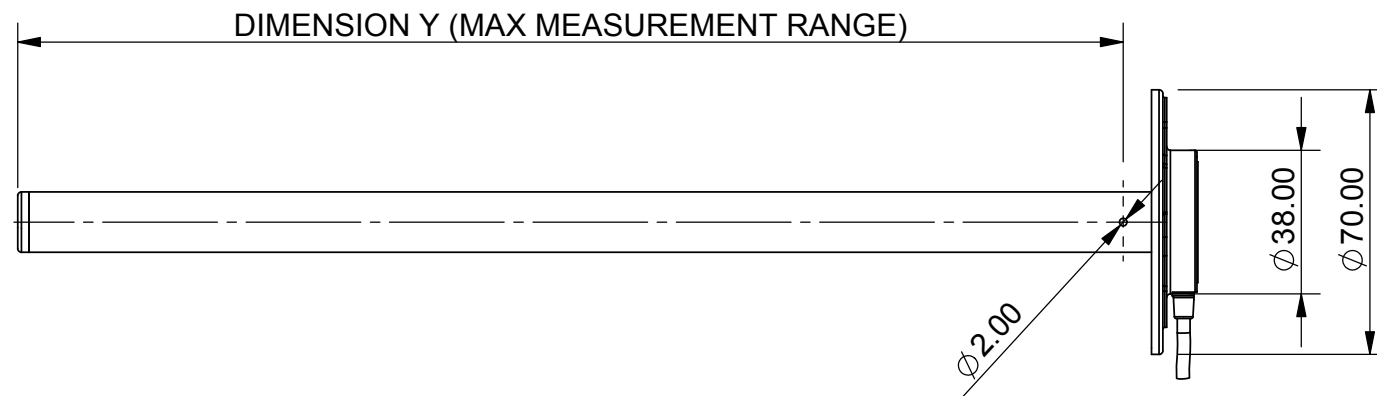
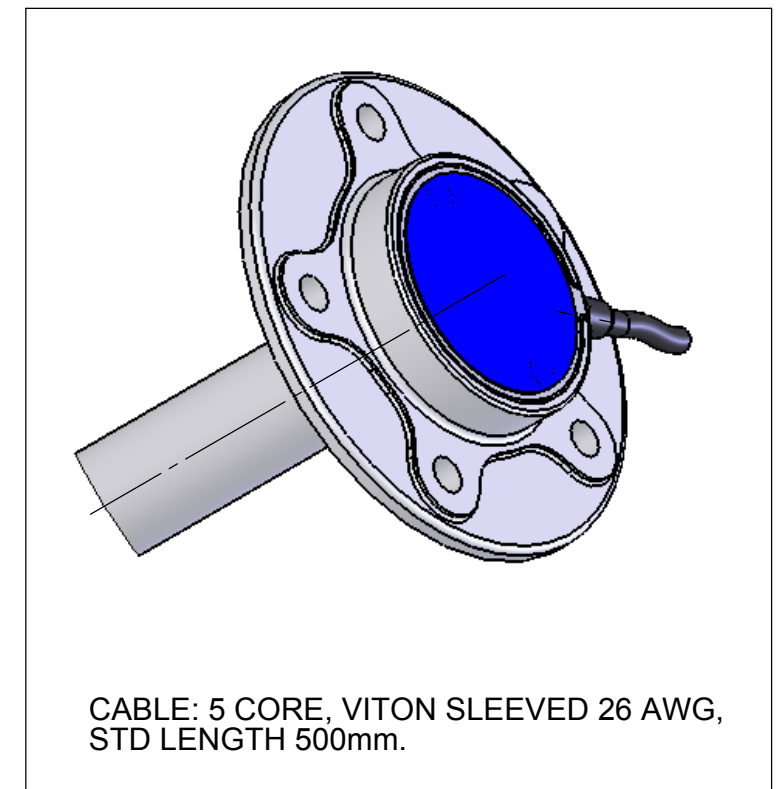
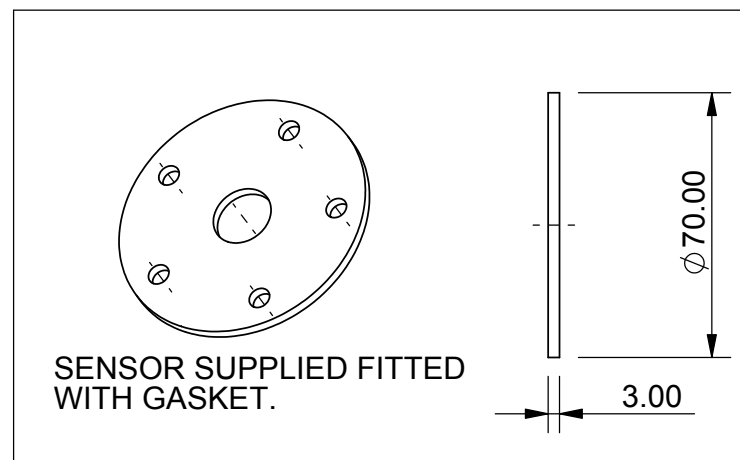


DETAIL B  
SCALE 1 : 1



| DIMENSION | VALUE                          |
|-----------|--------------------------------|
| X         | SPECIFIED PROBE LENGTH         |
| Y         | SPECIFIED PROBE LENGTH - 7.5mm |

| CABLE COLOUR | DESIGNATION |
|--------------|-------------|
| RED          | V+ (POWER)  |
| BLACK        | V- GND      |
| ORANGE       | SIGNAL      |
| GREEN        | Rx          |
| WHITE        | Tx          |



ALL DIMENSIONS IN MILLIMETRES

| ISSUE | DESCRIPTION | CHANGE NOTE No | APPR'D | DATE    | SCALE                                    | MATERIAL                       | USED ON              |
|-------|-------------|----------------|--------|---------|--|--------------------------------|----------------------|
| A     | FIRST ISSUE |                |        | 18.9.06 | 1:2                                      | 6082 T6                        | 1612-00-015          |
|       |             |                |        |         | GENERAL TOLERANCE<br>±0.2                | FINISH<br>POLISHED OR ANODISED | DRAWN<br>NJM         |
|       |             |                |        |         | TITLE<br>RACING SERIES FUEL LEVEL SENSOR | THIRD ANGLE                    | CHECKED<br>RJP       |
|       |             |                |        |         |  |                                | DATE<br>18.9.06      |
|       |             |                |        |         |  |                                | DRG No<br>1612-G-015 |



SOLENT HOUSE,  
CANNON STREET,  
LYMINGTON,  
HAMPSHIRE, SO41 9BR  
TEL: +44(0)1590 613400  
FAX: +44(0)1590 613401  
Email: gill@gilltechnology.com  
Website: www.gilltechnology.com

DESIGN COPYRIGHT RESERVED

**A3**