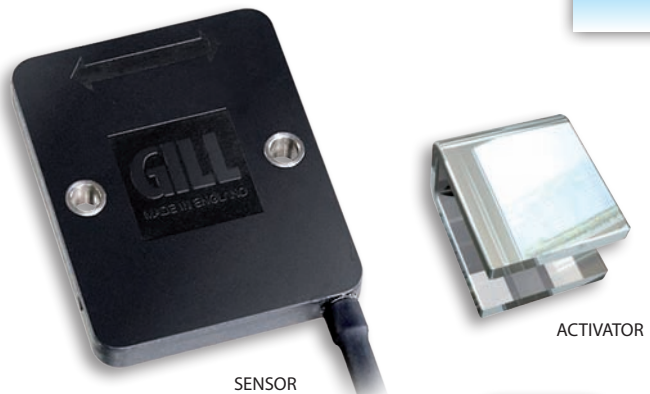




## Key Features

- Non-Contact
- No Moving Sensor Parts
- Up to 25mm Linear Measurement
- Up to 90° Angular Measurement
- Fully Configurable Range
- Analogue/Digital Output
- Unlimited Mechanical Life
- Submersible



SENSOR

ACTIVATOR



SIDE VIEW OF  
SENSOR/ACTIVATOR  
CONFIGURATION

The 25mm Blade Sensor accurately senses the linear or angular position of a metallic 'activator' mounted away from the face of the sensor. The unique non-contact two-part design utilises Gill's patented inductive technology to provide a reliable, accurate output that will not deteriorate through use.

Small, light and robust, the sensor is fully electronic with on-board processing. The supplied software facilitates a fully configurable measurement range. Output signals are provided in three different formats and diagnostic information is given to assist in system fail-safe functionality.

At just 6mm thick installation is simple. Accuracy and durability are increased with the absence of mechanical linkages and the U-shaped activator can be formed as part of your application for minimum installation overhead. The sensor is available in standard and high-temperature formats and is available with standard or custom requested wiring options. Sealed to IP67, this sensor is ideal for a variety of applications where grime, moisture, temperature and vibration can have an adverse affect on other types of sensor.



### Electrical

Supply Voltage	+4.8 VDC to +32 VDC
Over Voltage Protection	>33 VDC
Supply Current	<10mA with comms
Reverse Polarity Protection	up to -32 VDC
Resolution	10 bit over configured range
Sample Rate	1KHz
Rise Time	2ms*
Pulse Energy Absorption	1.0J

### Analogue Output

Measuring Range	Linear: ±12.5mm (configurable) Rotary: ±45° (configurable)
Voltage Output Range	0-5.6V (unless limited by V supply)
Range Accuracy	±0.1mm or equivalent

### PWM Output

Measuring Range	Linear: ±12.5mm (configurable) Rotary: ±45° (configurable)
Frequency	250Hz or 1KHz

### Serial Output

Data Type	RS232/RS485 (optional) 19.2K 8N
-----------	---------------------------------

### Switch Output

Type	May be used as V ref or switch from V supply to ground
------	--

### Mechanical

Size	6 x 40 x 50mm (DxWxL)
Sensor-Activator Clearance	0.5-2mm
Mounting	2 x Ø4mm holes on a 30mm pitch
Weight	30g
Activator Materials	See notes overleaf
Materials Compatibility	Water, engine oil, engine coolant, diesel fuel, gasoline, salt spray, degreaser, degreaser tsp, ammonia and dust. All common automotive liquids and materials

### Environmental

Protection Class	IP67
Operational Temperature	-40°C to +85°C (32 VDC max) -40°C to +125°C (optional, 14 VDC max)
Dither Life	Non-contact: no deterioration through use

### Options

Wiring	- Standard (28AWG) 85°C & 125°C - Heavy duty (20AWG) 85°C & 125°C - Customer specified
--------	--

\*The sensor samples the position at 1ms intervals. Each sample is processed then made available via an analogue filter with a rise time of 1.5ms. The total delay to 50% output is approximately 2ms.

## Non-Contact position sensor

### Activator Options

- Tinned steel
- EN3B painted mild steel or similar
- Plastic/Copper Foil
- Others compatible, contact Gill with your requirement.

### 25mm Blade Sensor Options

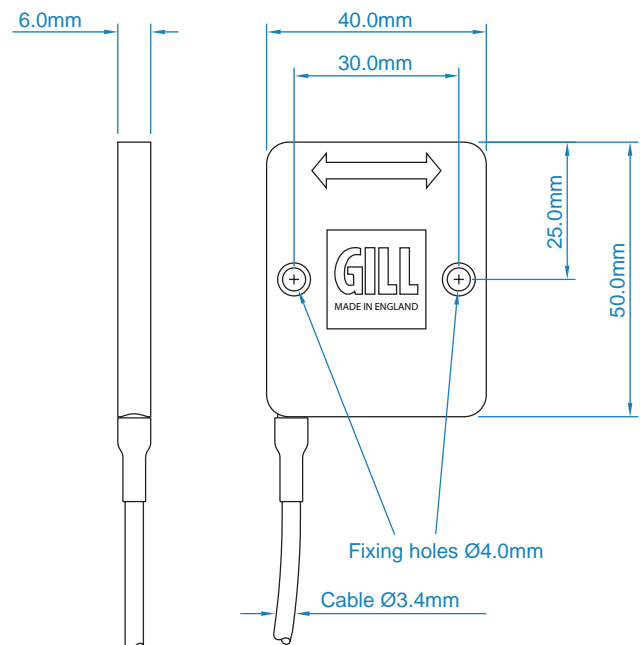
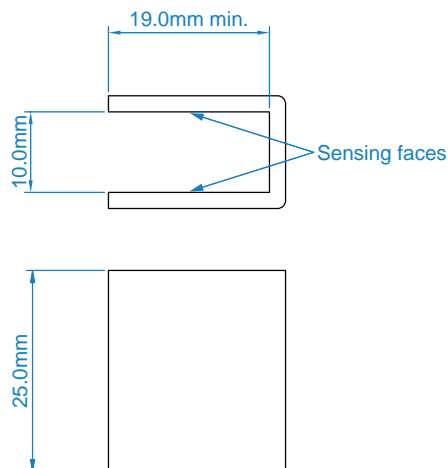
- 28 AWG 6 wire version (85°C max)  
Part No:1484-00-045
- 28 AWG 6 wire version (125°C max)  
Part No:1484-00-055
- 24 AWG 5 wire version (125°C max)  
No switch  
Part No:1484-00-065
- Demo Kit  
Part No:1484DK
- Tinned mild steel activator  
Part No:1484-30-050

### Wiring

Red	+4.8VDC to +32VDC Supply
Black	System & Power Ground (GND)
Blue	Switch Output
Green	Serial Comms Input (Rx), RS232 or RS485 Compatible
White	Serial Comms Output (Tx), RS232 or RS485 Compatible
Yellow	Analogue Output: Voltage or PWM

### Activator

The sensor requires a metallic activator to be mounted 0.5-2mm away from the sensing face. This can either be mechanically mounted to the moving object or machined into the application for minimal installation overhead. Below is a drawing showing the dimensions of our recommended standard activator. Please consult Gill for more information on activator design.



\*All undefined dimensions are non-critical

Model shown  
Part no: 1484-00-045



**Gill Sensors**  
Saltmarsh Park  
67 Gosport Street  
Lymington  
Hampshire  
SO41 9EG, UK

T: +44 (0) 1590 613 400  
F: +44 (0) 1590 613 401  
E: info@gillsensors.co.uk

[www.gillsensors.co.uk](http://www.gillsensors.co.uk)

